

***“Walter” – Spinal Injury
Detailed View by Bill Weis***

Requirements:

1. Be able to voice control his semi-electric bed that has HR-3 remote

Solution – High Level:

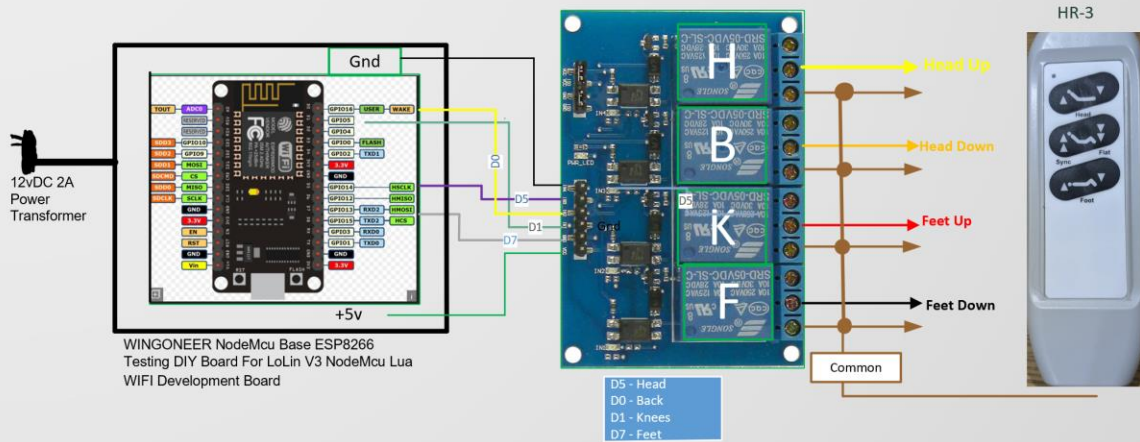
1. We designed a voice activated bed controller for his bed

Details of the Solution

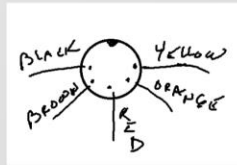
1 – Be able to voice control his bed – “Walter” has a semi-electric Customatic bed with a HR-3 hand remote. We provided “Walter” with the ability to raise/lower the head and foot ends of the bed using voice commands that run for specific durations. The solution is based on an ESP8266 Microcontroller and mechanical relays. We added a Y-Cable so the bed can be controlled by both voice as well as the HR-3 hand remote.

Here is a Visio diagram of the solution.

Voice Controlled Bed Controller for Older Customatic base with HR-3 style pendant for "Walter"
 Bill Weis 5-26-2022
 S/N 22106.02



Eventhough this pendant connection uses a 5 Pin DIN, the connections are simple contact meaning it is possible to use a Y-Cable so they can have manual and voice control at the same time.



Wires From Remote to Relays
 Yellow -> Head Up
 Orange -> Head Down
 Red -> Feet Up
 Black -> Feet Down
 Brown -> Common

Resources

Amazon Fire TV Cube support number - **888-280-4331**

[Fire TV Cube \(amazonforum.com\)](http://amazonforum.com)

Amazon fire tv support [Fire TV: Amazon Digital and Device Forum \(amazonforum.com\)](http://amazonforum.com)