

Shane K (aka Ragnar) – ALS
Detailed view by Bill Weis

Requirements:

1. Shane wanted to be able to use voice to control his adjustable bed.

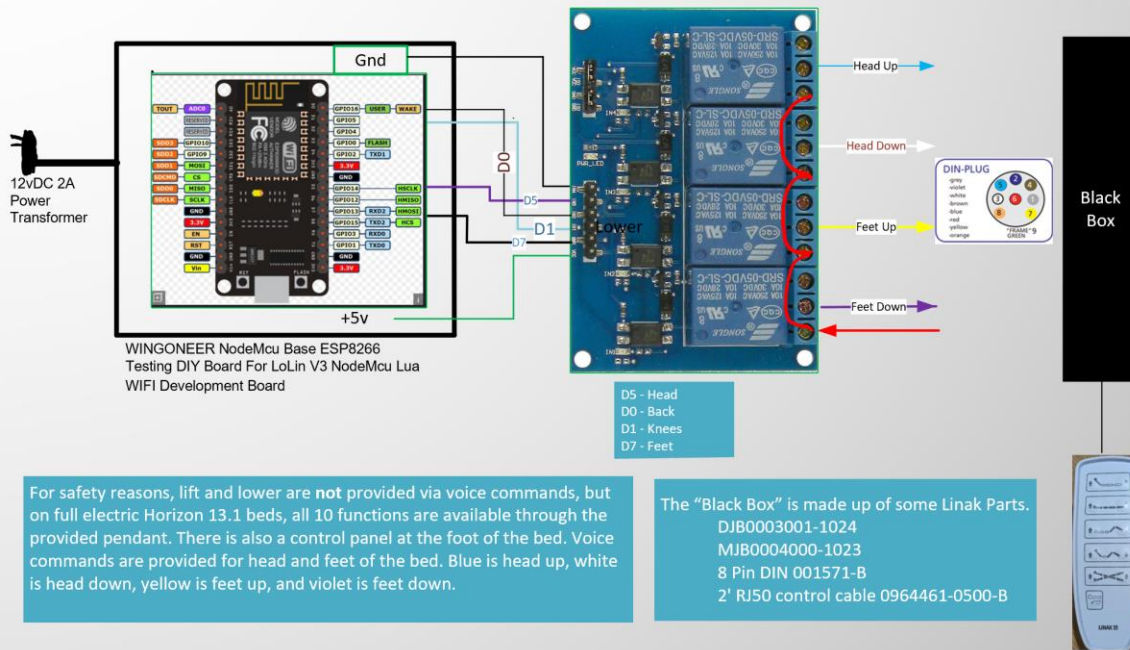
Solution – High Level:

1. We provided a voice activated controller to control the head up/down and foot up/down functions of his bed.

Solution Details

1 – Shane wanted to use voice commands to control his Horizon 13.1 bed - Shane has a 10 function Horizon 13.1 adjustable bed. The controls in this bed are from Linak, and the control box itself is a CB6S which supports Linak's Openbus. By adding a DJB, MJB, and a short RJ50 cable, we were able to connect the 8 Pin Din from our voice activated bed controller to the DJB. We provided Shane with several voice commands that run for specific durations to raise and lower the head and foot end of the bed. Other functions that the bed is capable of such as Hi-Lo, Trendelenburg, Reverse Trendelenburg, and Cardiac Chair are controlled by the caregiver manually through the control panel or via the pendant.

**Voice Controlled Bed Controller for ShaneK. Full electric Horizon 13.1
(Linak CB06-U092-03) Manual pendant for Lift and Lower
Bill Weis 3/17/21
S/N 20082.11**



Resources

[Google Home getting started](#)

[Google Home Help Forum](#)

[Google Home Support](#) Phone number for Google Home hardware support = 855-971-9121 (24/7 days a week)

[Wemo Support](#) Phone number for Support = 1-844-745-wemo (9366)