

Edward - Quadriplegic
Detailed View by Bill Weis

Requirements:

1. Be able to use voice to control TV
2. Be able to voice control his full electric Drive bed

Solution – High Level:

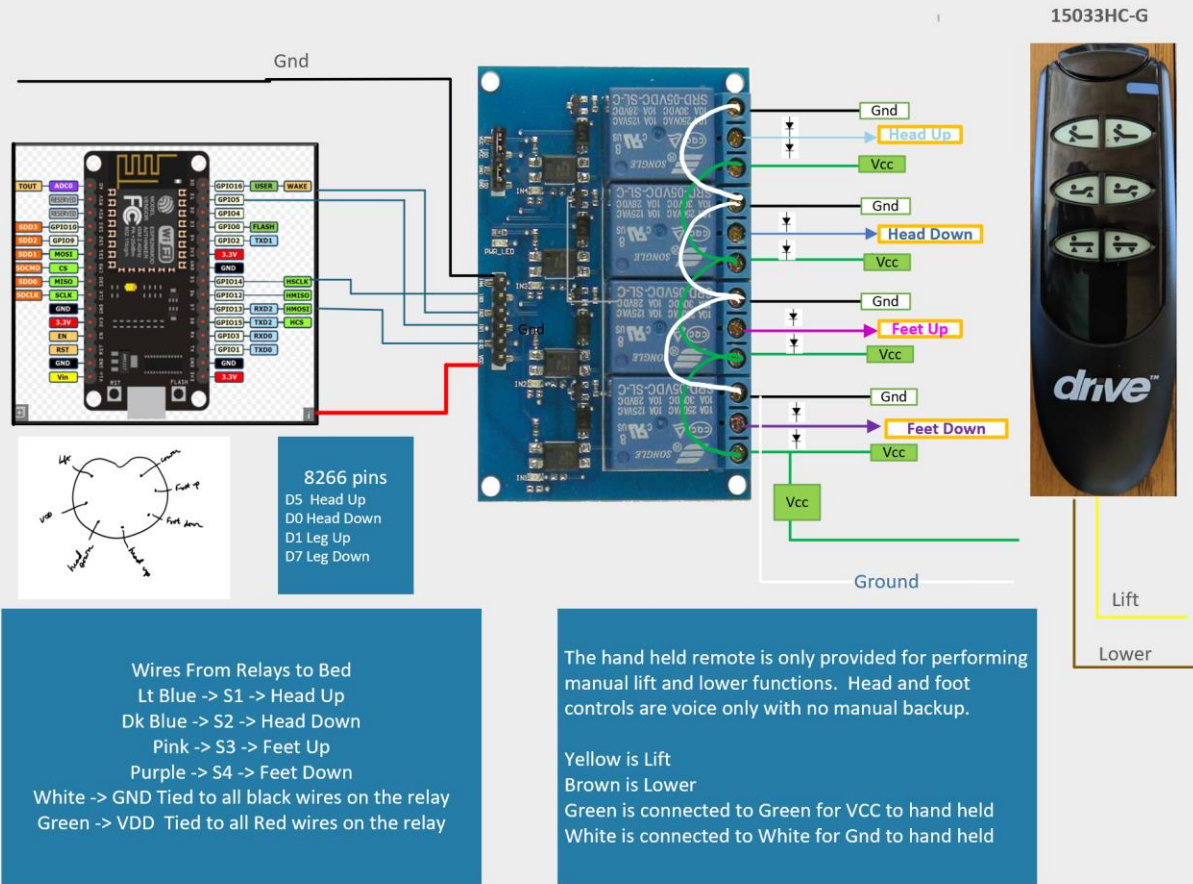
1. Provided an Amazon FireTV Cube to enable Edward to control his TV by voice
2. Provided a voice activated controller to enable Edward to control his full electric Drive bed

Details of the Solution

1 – Be able to use voice to control the TV – Edward wanted to control his TV by voice. We provided an Amazon Fire TV cube as the solution.

2 – Voice Control his bed – Edward wanted to be able to control his full electric Drive bed. We provided a voice activated controller that plugs into the bed in place of the 15033HC-G hand remote which allows Edward to give head up/down and feet up/down commands of various durations. Since this bed is full electric meaning it also has the hi-lo feature, we provide a hand control just for the Hi-Lo feature. For safety reasons we do not provide voice control of Hi Lo, only manual control.

Edward - Drive Full Electric Bed with remote 15033HC-G 4/2/2021 S/N 20072.02



Resources

[Amazon Echo](#)

[Alexa Support](#) (Contact Support via the Amazon Alexa app - can have them call your number)

Alexa Fire TV Cube support numbers

888-280-2073

888-375-9365