

Laureen Kramer Project – Detailed view (v1)

By Bill Weis

Laureen Kramer – Limb Girdle

Requirements:

1. Be able to voice control her bed (Drive Delta 1000 – hard wired 15030HC-G remote)

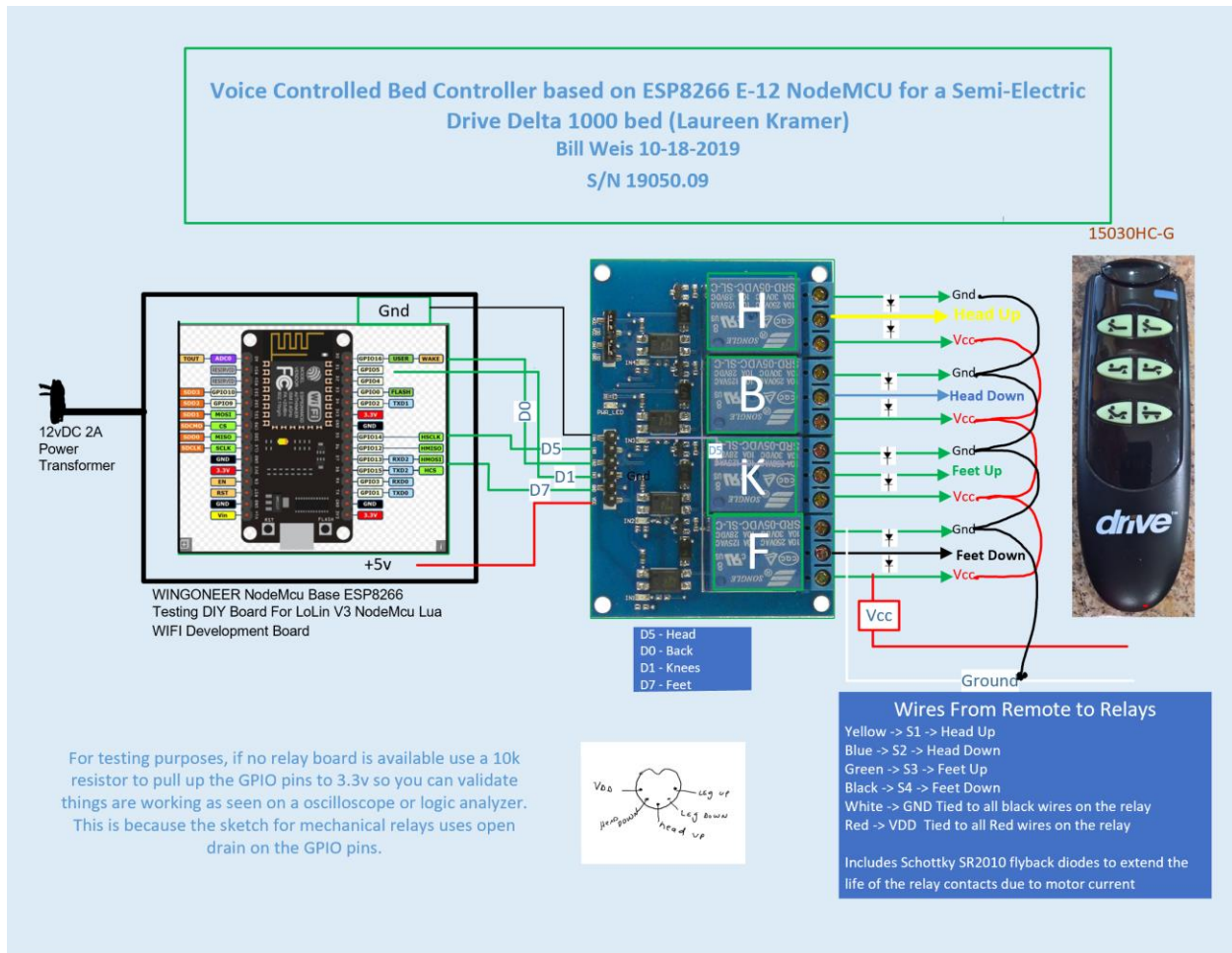
Solution – High Level:

1. Installed a Google Home mini and an Amazon Echo along with a custom developed bed controller to enable Laureen to control her bed using voice commands.

Details of the Solution

1 – Voice Control her bed – Laureen has a Drive Delta 1000 bed with a hard wired remote. She makes frequent adjustment changes to the bed during the night and often times has difficulty locating and working the hand held remote. The voice activated bed controller that we designed will allow Laureen to control her bed from both a Google Mini and an Amazon Echo Dot with voice commands that will raise and lower the head and foot ends of the bed. Each voice command moves the bed for a predetermined length of time. We provided four commands of different durations to raise and lower the head end of the bed, and three commands of different durations to raise and lower the foot end of the bed.

Here is a Visio diagram of the solution.



Resources

[Amazon Echo](#)

[Alexa Support](#) (Contact Support via the Amazon Alexa app - can have them call your number)

[Google Home getting started](#)

[Google Home Help Forum](#)

[Google Home Support](#) Phone number for Google Home hardware support = 855-971-9121 (24/7 days a week)

[Logitech Harmony Knowledge Base](#)

[Logitech Harmony Support](#) Phone # for Support = 866-601-5644 (M-F 8am to 6pm PST)

[Lifx](#)

[Wemo Support](#) Phone number for Support = 1-844-745-wemo (9366)