

David H. – Progressive Multiple Sclerosis
Detailed View by Bill Weis

David H. – Progressive Multiple Sclerosis

Requirements:

1. Be able to voice control his TV
2. Be able to voice control a box fan
3. Be able to voice control a lamp
4. Be able to voice control his Full Electric Drive bed with Linak CB6 Controls and a 15005HCN-L pendant

Solution – High Level:

1. We provided an Amazon Fire TV Cube so David could voice control his TV
2. We provided an Amazon Smart Plug so David could voice control his box fan
3. We provided an Amazon Smart Plug so David could voice control his lamp
4. We designed a voice activated bed controller for his bed

Details of the Solution

1 – Be able to control his TV with voice commands - We provided an Amazon Fire TV Cube which gives David the ability to control his TV

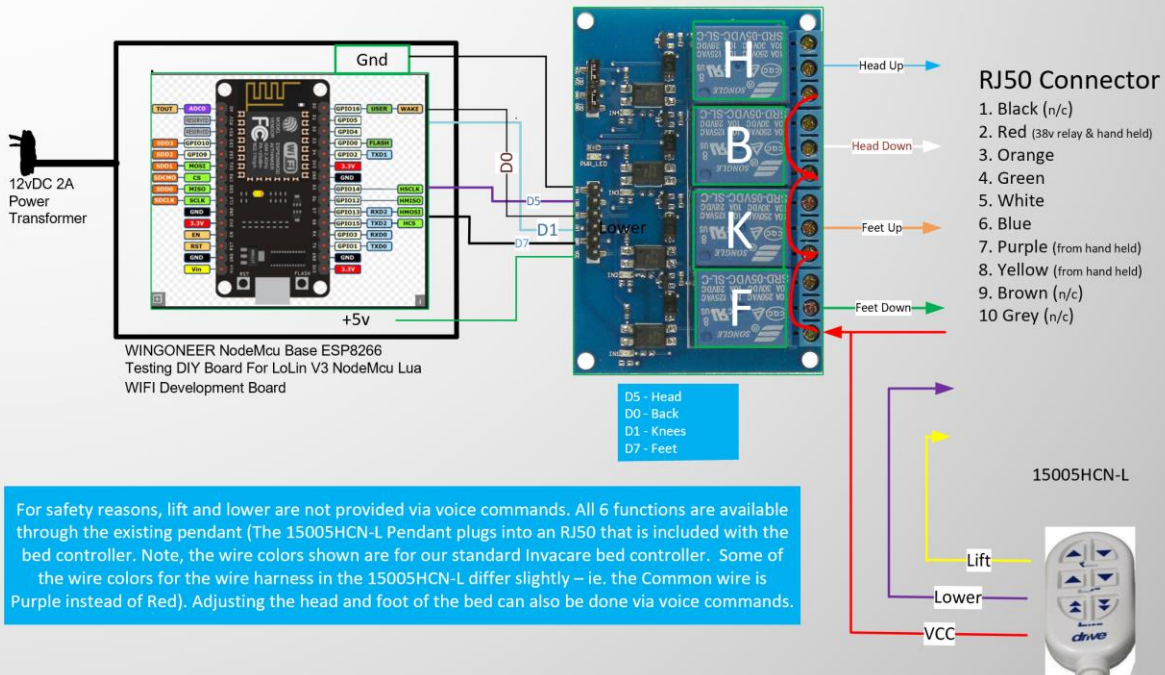
2 – Use voice to control a box fan – We configured an Amazon Smart plug so David could use voice commands to turn on and off his fan.

3 – Use voice to control a lamp - We configured an Amazon Smart plug so David could use voice commands to turn on and off his lamp.

4 – Be able to voice control his bed - David has a full electric Drive bed with a Linak CB6 control box and a 15005HCN-L hand Pendant. We provided David with the ability to raise/lower the head and foot ends of the bed using voice commands that run for specific durations. Bed up/down are only possible via manual control since for safety reasons we do not provide a voice solution for those functions. The solution is based on an ESP8266 Microcontroller and mechanical relays. We added an RJ50 connector to our control box so the 15005HCN-L pendant has a place to connect. Our voice activated controller plugs into the Linak CB6 in place of the hand pendant.

Here is a Visio diagram of the solution.

Voice Controlled Bed Controller for David H, mechanical relays to control the Drive - Full Electric bed with Linak CB6198-00 control box and 15005HCN-L hand pendant. Manual control for Lift and Lower
Bill Weis 5-24-2022
S/N 22108.04



Resources

Amazon Fire TV Cube support number - **888-280-4331**

[Fire TV Cube \(amazonforum.com\)](https://www.amazonforum.com)

Amazon fire tv support [Fire TV: Amazon Digital and Device Forum \(amazonforum.com\)](https://www.amazonforum.com)