

Brian M. Project – Detailed view (v1)

By Bill Weis

Requirements:

1. Be able to use voice to control his adjustable Drive Full Electric bed

Solution – High Level:

1. We designed a voice activated bed controller that allows Brian to control his Drive Full Electric bed.

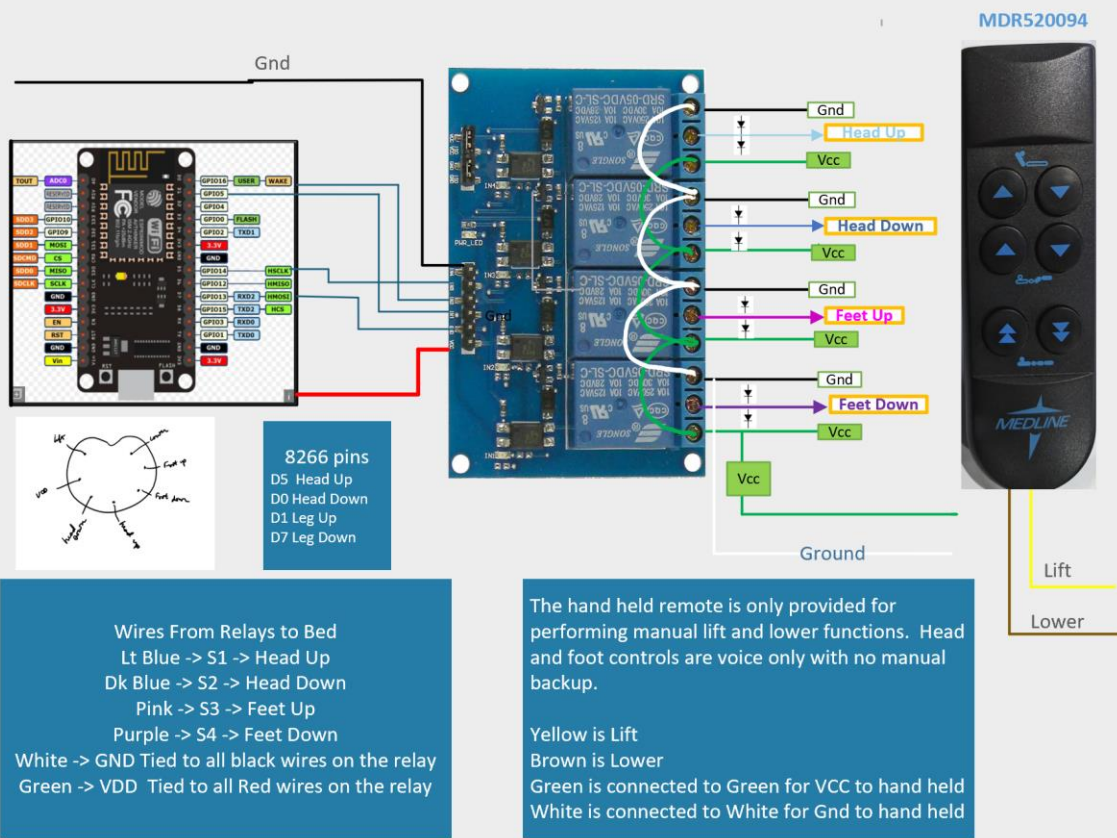
Details of the Solution

1 – Be able to use voice commands to control his Full Electric Drive bed – Brian has a Drive bed with a hard wired 15033HC-G remote. He wanted to be able to use voice to raise and lower the head/foot of the bed. We provided a voice activated controller along with several voice commands that run for different durations of time for the head and foot of the bed. Custom commands were then created to Brian's liking. Our voice activated controller plugs into the bed in place of the standard hand control (15033HC-G). Since this bed also has a Hi-Lo feature, we added a hand control which allows the caregiver to raise and lower the bed manually. For safety reasons, we do not provide voice solution for Hi-Lo.

To extend the life of the relay contacts, we soldered Schottky SR2010 flyback diodes on the relay board.

Here is a visio diagram of the bed controller

Drive Full Electric Bed with remote 15033HC-G for Brian M.
Bill Weis 11/5/2022 S/N 19050.09



Resources

[Amazon Echo](#)

[Alexa Support](#) (Contact Support via the Amazon Alexa app - can have them call your number)

[Google Home getting started](#)

[Google Home Help Forum](#)

[Google Home Support](#) Phone number for Google Home hardware support = 855-971-9121 (24/7 days a week)

[Logitech Harmony Knowledge Base](#)

[Logitech Harmony Support](#) Phone # for Support = 866-601-5644 (M-F 8am to 6pm PST)

[Lifx](#)

[Wemo Support](#) Phone number for Support = 1-844-745-wemo (9366)