

# Raymon V. Project – Detailed view (v1)

By Bill Weis

## Requirements:

1. Be able to voice control his adjustable bed

## Solution – High Level:

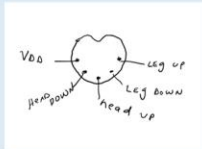
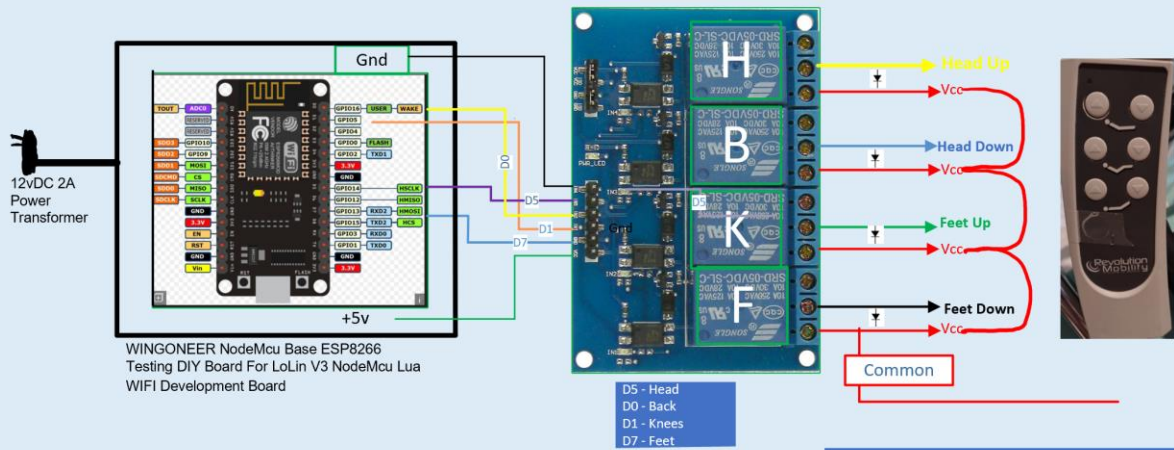
1. Designed a voice activated bed controller which gave Raymon the ability to control the Head Up, Head Down Foot up and Foot down functions of his Revolution Mobility adjustable bed. He can control the bed using Google and Alexa.

## Details of the Solution

**1 – Voice Control his bed** – Raymon has a Revolution Mobility bed with a hard wired remote. He wanted the four functions of Head Up, Head Down, Foot Up and Foot Down to be voice activated. I was expecting that given the hand remote uses a 5 pin DIN connector that it would not be possible to have both voice and the hand pendant connected at the same time. We then discovered that the hand remote is wired with simple contacts and as a result we modified the voice activated bed controller accordingly. It is likely that we could put a Y-Cable that has a 5 pin DIN Male and (2) 5 pin DIN female connectors so both voice control and manual hand controller are both connected at the same time.

Raymon will be able to control his bed using an Alexa as well as a Google mini. We provide both means of controlling the bed for purposes of redundancy as well as giving the customer the ability to compare which smart speaker understands them better.

Voice Controlled Bed Controller based for Revolution Mobility  
 Model MBED-450-L for Raymon V  
 Bill Weis 2/3/2022  
 S/N 18025.07



Wires From Remote to Relays  
 Yellow -> S1 -> Head Up  
 Blue -> S2 -> Head Down  
 Green -> S3 -> Feet Up  
 Black -> S4 -> Feet Down  
 Red -> Common Tied to all Red wires on the relay  
 Includes Schottky SR2010 flyback diodes to extend the life of the relay contacts due to motor current

**Resources**

[Amazon Echo](#)

[Alexa Support](#) (Contact Support via the Amazon Alexa app - can have them call your number)

[Google Home getting started](#)

[Google Home Help Forum](#)

[Google Home Support](#) Phone number for Google Home hardware support = 855-971-9121 (24/7 days a week)

[Logitech Harmony Knowledge Base](#)

[Logitech Harmony Support](#) Phone # for Support = 866-601-5644 (M-F 8am to 6pm PST)

[Lifx](#)

[Wemo Support](#) Phone number for Support = 1-844-745-wemo (9366)