

# Nancy Project – Detailed view

By Bill Weis

## *Nancy - ALS*

### Requirements:

1. Be able to voice control her Hill Rom bed

### Solution – High Level:

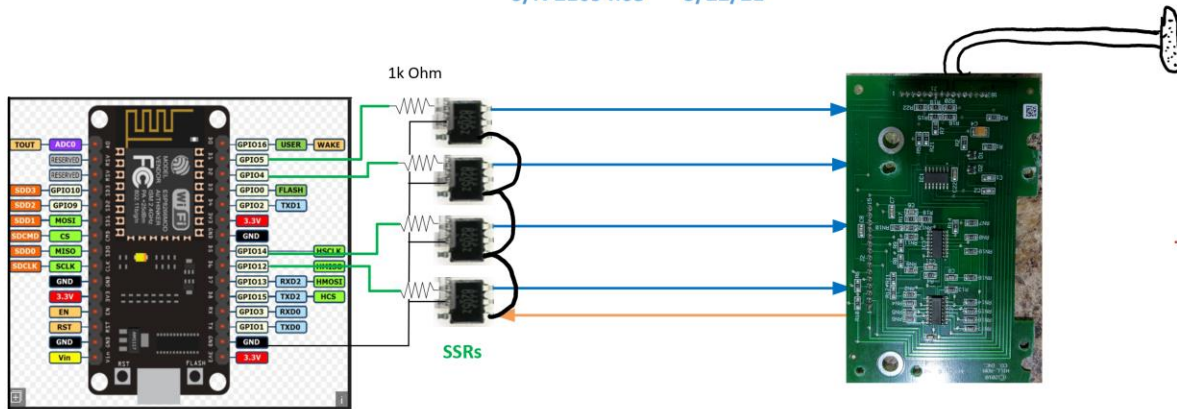
1. Designed a voice activated bed controller which gave Nancy the ability to control the head up/down and the foot up/down functions.

## Details of the Solution

**1 – Voice Control her bed** – Nancy lost control of her hands as a result of ALS and needed a voice solution so she could make frequent adjustments to the bed position. She has a Hill Rom bed that has multiple operation panels to control the bed, plus a 16646201 hand pendant. We purchased a 16646201 pendant which became part of the final solution. We provided voice commands that Alexa or Google could receive, resulting in adjustable bed movement to the head and foot end of the bed for various durations depending on the command issued.

**Here is a Visio diagram of the solution.**

Nancy – Voice controller for Hill Rom Bed  
CareAssist Pendant Basic Function 16646201  
S/N 21094.03 3/22/21



Wigoneer Base Provides Gnd to SSRs

Pendant – Wire Wrapped Connections to SSRs

- Ground goes to Pendant pin 3
- GPIO5 - D1 (Pendant) Head Up goes to Pendant pin 4
- GPIO4 - D2 (Pendant) Head Down goes to Pendant pin 5
- GPIO14 - D5 (Pendant) Foot Up goes to Pendant pin 6
- GPIO12 - D6 (Pendant) Foot Down goes to Pendant pin 7



## Resources

[Amazon Echo](#)

[Alexa Support](#) (Contact Support via the Amazon Alexa app - can have them call your number)

[Google Home getting started](#)

[Google Home Help Forum](#)

[Google Home Support](#) Phone number for Google Home hardware support = 855-971-9121 (24/7 days a week)

[Wemo Support](#) Phone number for Support = 1-844-745-wemo (9366)

inside the bed controller box. The drawing on the following page shows the voice activated bed controller, solid state relays and the remote.