

Martha - ALS
Detailed view by Bill Weis

Requirements:

1. Martha wants to be able to use voice to control her Joerns Ultra Care UCXT bed.

Solution – High Level:

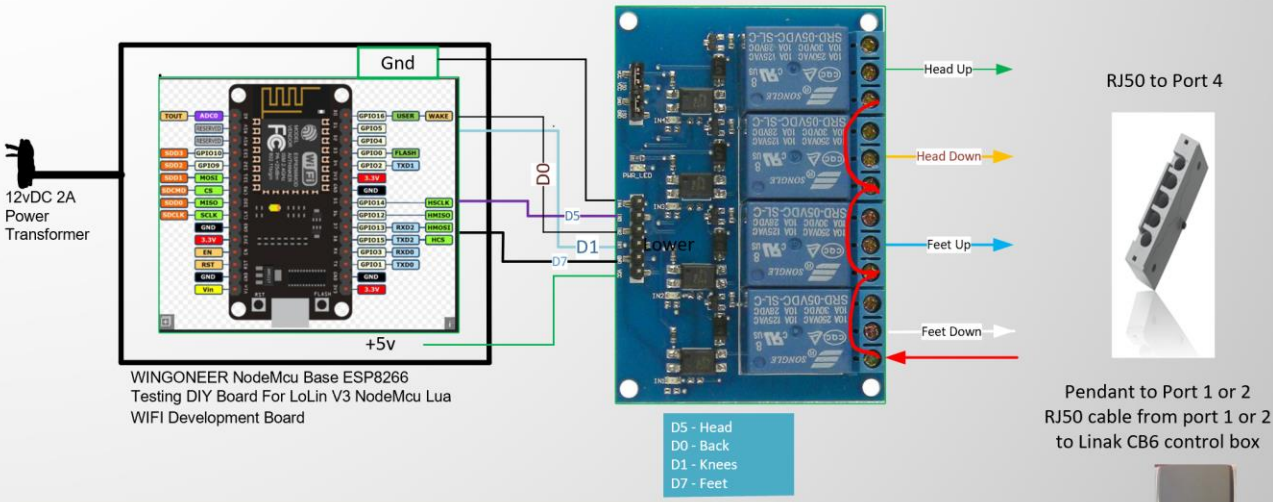
1. We provided a voice activated controller to control the head up/down and foot up/down functions of her bed.

Solution Details

1 – Martha wants to use voice commands to control her Joerns UltraCare UCXT full electric bed – Martha has a 6 function Joerns UltraCare bed. The controls in this bed are from Linak, and the control box itself is a CB6S which supports Linak's Openbus. By adding a MJB5094001-1323 device, we were able to connect the RJ50 cable from our voice activated bed controller to port 3 on the MJB. The hand control was plugged into OpenBus port 2, and an RJ50 short cable was plugged into OpenBus port 1 and connected to the hand control port on the CB6S Linak control box. We provided Martha with several voice commands that run for specific durations to raise and lower the head and foot end of the bed. For safety reasons we do not provide voice control of the Hi Lo functions, but they are available to the caregiver through the standard hand control.

Schematic on next page

**Voice Controlled Bed Controller for Martha Full Electric Joerns Ultra Care
(Joerns) Manual pendant for Lift and Lower
Bill Weis 1/6/23
S/N 21079.11**



For safety reasons, lift and lower are **not** provided via voice commands, but on full electric Joerns EasyCare beds, all 6 functions are available through the existing Joerns Standard Staff Control Pendant. Both voice control as well as control using the standard pendant are possible at the same time so caregivers can use the pendant for raising and lowering the bed.

Pin	Wire colour	Port 1	Port 2	Port 4	Port 5
Pin 1	Black			GND	GND
Pin 2	Red			Vperm*	Vperm*
Pin 3	Orange			H1	H11
Pin 4	Green			H0	H10
Pin 5	White			H3	H13
Pin 6	Blue			H2	H12
Pin 7	Purple			H5	H15
Pin 8	Yellow			H4	H14
Pin 9	Brown			H7	H17
Pin 10	Grey			H6	H16



Resources

- [Google Home getting started](#)
- [Google Home Help Forum](#)
- [Google Home Support](#) Phone number for Google Home hardware support = 855-971-9121 (24/7 days a week)
- [Wemo Support](#) Phone number for Support = 1-844-745-wemo (9366)