

Livi P. – Spinal Injury
Detailed view by Bill Weis

Requirements:

1. Livi wanted to be able to use voice to control her adjustable bed.

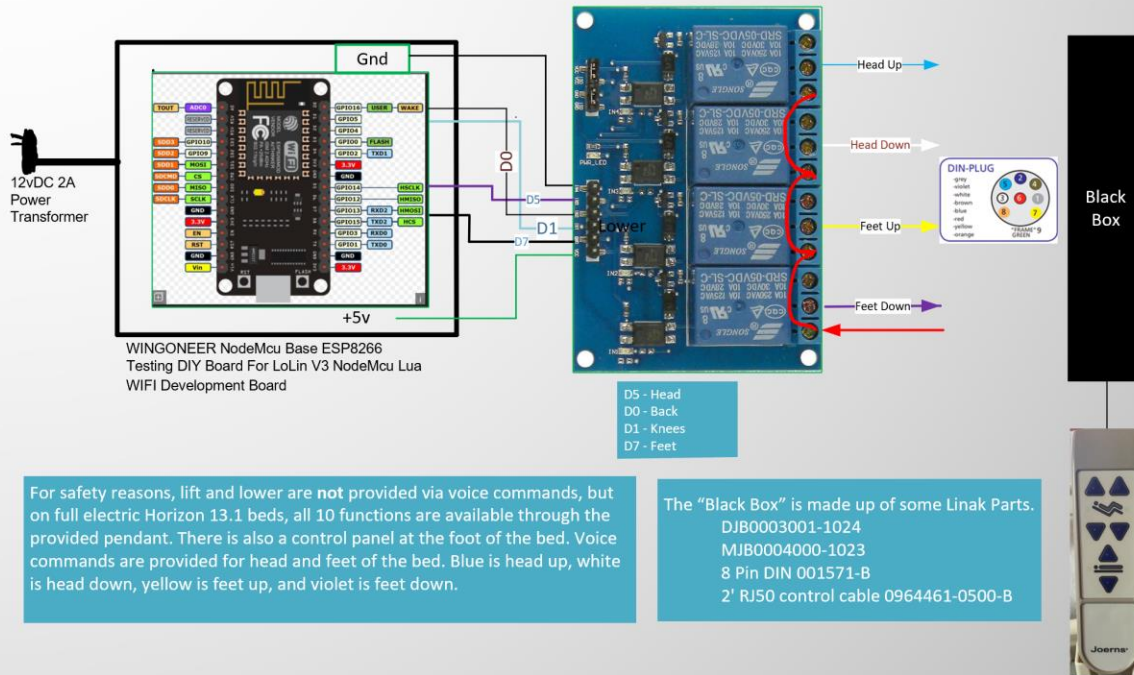
Solution – High Level:

1. We provided a voice activated controller to control the head up/down and foot up/down functions of her bed.

Solution Details

1 – Livi wanted to use voice commands to control her Joerns Easy Care full electric bed – Livi has a 6 function Joerns Easy Care bed. The controls in this bed are from Linak, and the control box itself is a CB6S which supports Linak's Openbus. By adding a DJB, MJB, and a short RJ50 cable, we were able to connect the 8 Pin Din from our voice activated bed controller to the DJB. We provided Livi with several voice commands that run for specific durations to raise and lower the head and foot end of the bed. For safety reasons we do not provide voice control of the Hi Lo functions, but they are available to the caregiver through the standard hand control.

**Voice Controlled Bed Controller for Livi P. Full Electric Joerns Easy Care
(Linak CB6781-00) Manual pendant for Lift and Lower
Bill Weis 2/5/2022
S/N 21099.06**



For safety reasons, lift and lower are **not** provided via voice commands, but on full electric Horizon 13.1 beds, all 10 functions are available through the provided pendant. There is also a control panel at the foot of the bed. Voice commands are provided for head and feet of the bed. Blue is head up, white is head down, yellow is feet up, and violet is feet down.

The "Black Box" is made up of some Linak Parts.
DJB0003001-1024
MJB0004000-1023
8 Pin DIN 001571-B
2' RJ50 control cable 0964461-0500-B

Resources

[Google Home getting started](#)

[Google Home Help Forum](#)

[Google Home Support](#) Phone number for Google Home hardware support = 855-971-9121 (24/7 days a week)

[Wemo Support](#) Phone number for Support = 1-844-745-wemo (9366)