

***GuntherL Project***  
***Detailed View by Bill Weis***

Requirements:

1. Be able to voice control his TV
2. Be able to use the Amazon Drop-In feature to communicate with his mom
3. Be able to voice control his desktop fan

Solution – High Level:

1. We provided an Amazon Fire TV Cube so Gunther could control his Samsung TV
2. We provided two Amazon Echo Dots and configured them for the Drop-In Feature
3. We designed a voice activated controller for his Desktop fan

**Details of the Solution**

**1 – Voice Control his TV** – Gunther has a new Samsung TV and wanted to be able to use voice to control it. We provided an Amazon Fire TV Cube which enables Gunther to use voice commands for the TV.

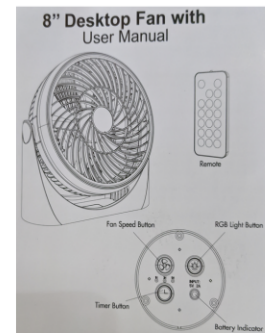
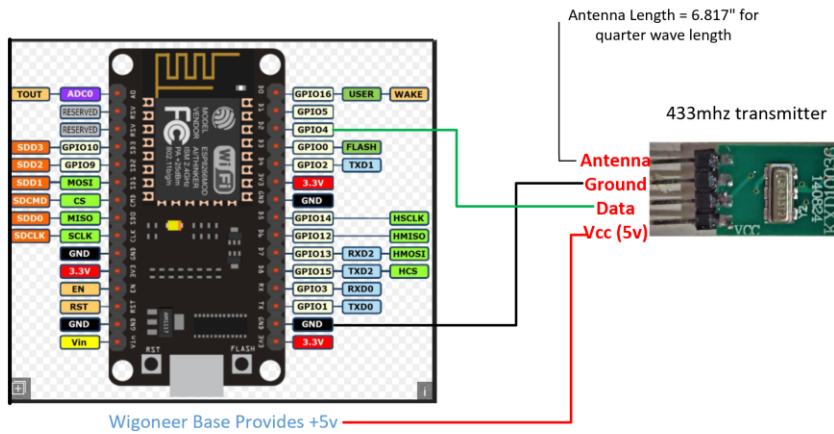
**2 – Be Able to Communicate with his Mom** – Gunther wanted to be able to use the Amazon Drop-In feature so he could reach his mom when she is on a different floor in the house. We provide two echo dots and configured the Drop In feature.

**3 – Voice Control of his Desktop Fan** - Gunther has a quiet desktop fan with many features such as speed control, timers, and the ability to change the ambience through various colors the fan can emit. The fan remote uses a 433mhz transmitter and we captured the digital pulses for each of the 19 buttons and provide a voice command for each.

<https://www.amazon.ca/Control-Desktop-Multicolor-Rotatable-Circulator/dp/B0B2JTC63Q>

Here is a Visio diagram of that solution

Gunther L. Project  
433mhz (Desktop Fan – ML-F005)  
S/N 18017.07



<https://www.amazon.ca/Control-Desktop-Multicolor-Rotatable-Circulator/dp/B0B2JTC63Q>

## Resources

[Amazon Echo](#)

[Alexa Support](#) (Contact Support via the Amazon Alexa app - can have them call your number)

[Fire TV: Amazon Digital and Device Forum \(amazonforum.com\)](#)

Fire TV Cube Support **888-280-4331**