

Michael Huhn Project – Detailed view (v1)

By Bill Weis

Michael Huhn – Cerebral Palsy

Requirements:

1. Be able to voice control his Enso Sleep Systems PB210Q bed with hard wired remote

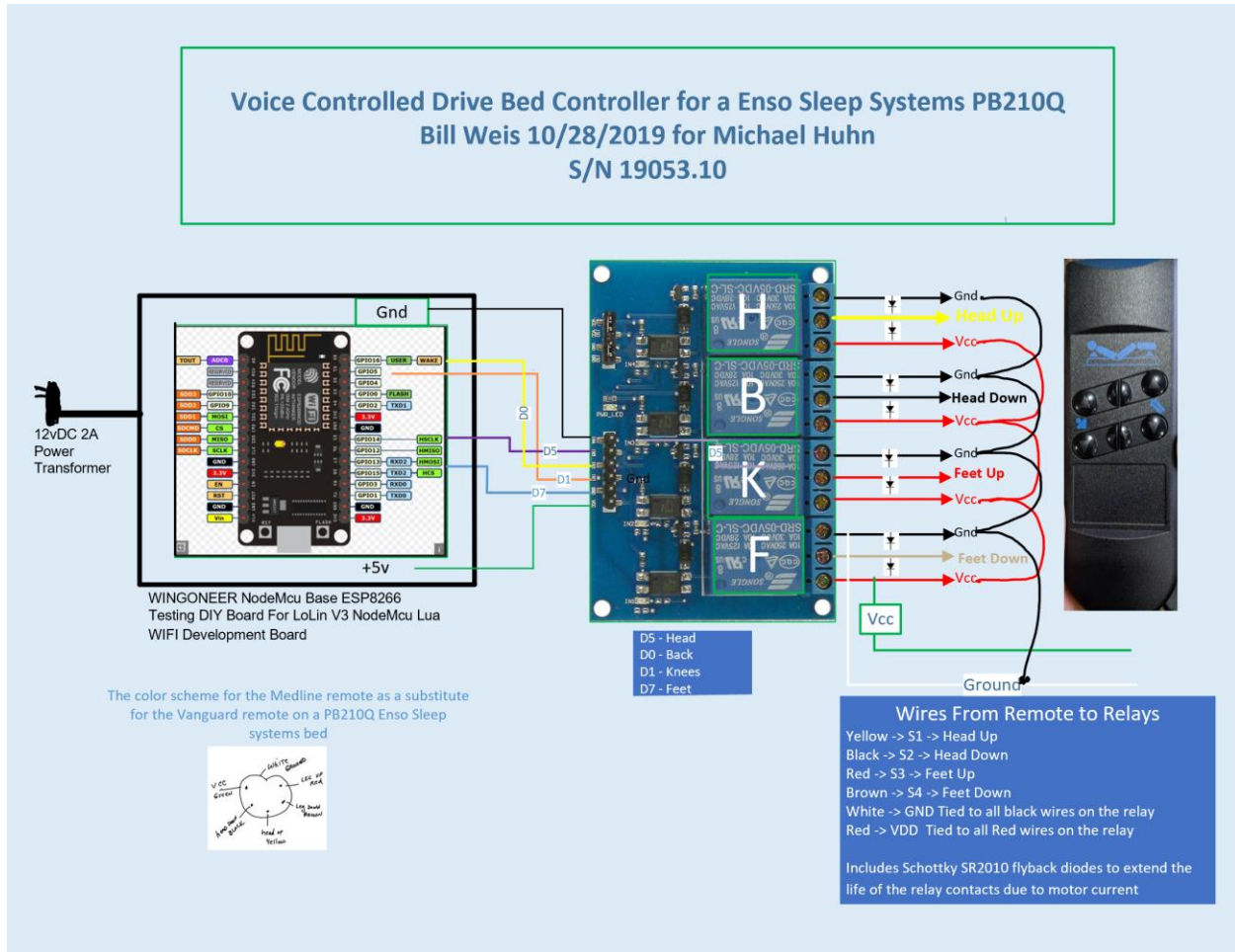
Solution – High Level:

1. We provided a Google Home Mini and a custom developed bed controller to enable Michael to control his bed using voice commands.

Details of the Solution

1 – Voice Control his bed – Michael has an Enso Sleep Systems PB210Q bed with a hard wired remote. He makes frequent adjustment changes to the bed during the night and often times has difficulty locating and working the hand held remote. The voice activated bed controller that we designed will allow Michael to control his bed from a Google Mini with voice commands that will raise and lower the head and foot ends of the bed. Each voice command moves the bed for a predetermined length of time. We provided four commands of different durations to raise and lower the head end of the bed, and three commands of different durations to raise and lower the foot end of the bed.

Here is a Visio diagram of the solution.



Resources

[Amazon Echo](#)

[Alexa Support](#) (Contact Support via the Amazon Alexa app - can have them call your number)

[Google Home getting started](#)

[Google Home Help Forum](#)

[Google Home Support](#) Phone number for Google Home hardware support = 855-971-9121 (24/7 days a week)

[Logitech Harmony Knowledge Base](#)

[Logitech Harmony Support](#) Phone # for Support = 866-601-5644 (M-F 8am to 6pm PST)

[Lifx](#)

[Wemo Support](#) Phone number for Support = 1-844-745-wemo (9366)