

# DebbieW Project – Detailed view (v1)

By Bill Weis

## Requirements:

1. Be able to voice control her adjustable bed.

## Solution – High Level:

1. Designed a voice activated bed controller which gives Debbie the ability to control the Head Up/Down and Foot Up/Down functions of her adjustable full electric Invacare bed. We also provided a port on our bed controller so the wired remote could be connected and could continue to be used as a manual means of controlling the bed in parallel to the voice solution. This port also provides the only means of Bed lift and Bed lower as we do not provide voice solutions for those two functions for safety reasons. In most cases, the caregiver is the only one to raise and lower the bed anyhow. She can control the bed using Google and Alexa.

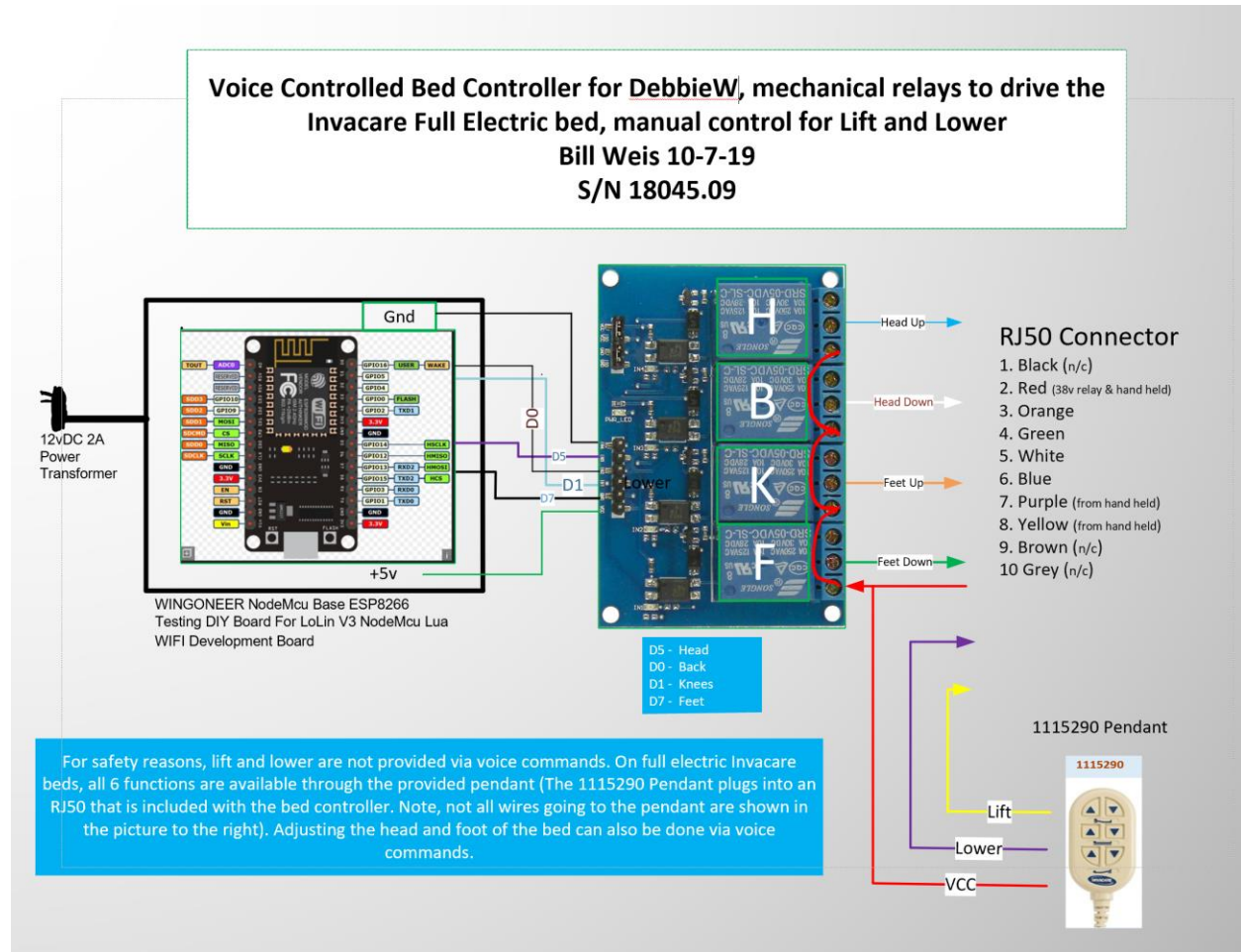
## Details of the Solution

**1 – Voice Control his bed** – Debbie has a full electric Invacare bed with a 1115290 hand remote. This bed is a 6-function bed which includes Head Up, Head Down, Foot Up, Foot Down, Bed Up and Bed Down. For safety reasons, Bed Up and Bed Down require use of the handheld pendant. Bed Up and Bed Down is a feature that is only used by a caregiver anyhow, and the caregiver can continue to perform Bed Up and Bed Down as they always have. All 6 functions are still controllable via the pendant which is plugged into a port on our bed controller.

The bed controller supports voice commands that are issued through Alexa as well as through the Google Mini.

The voice commands all run for a predetermined length of time and stop.

Here is a Visio diagram of the solution.



## Resources

[Amazon Echo](#)

[Alexa Support](#) (Contact Support via the Amazon Alexa app - can have them call your number)

[Google Home getting started](#)

[Google Home Help Forum](#)

[Google Home Support](#) Phone number for Google Home hardware support = 855-971-9121 (24/7 days a week)